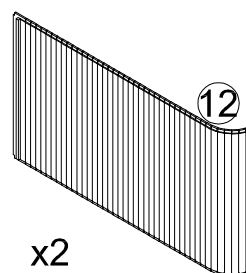
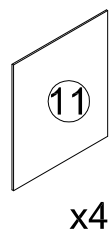
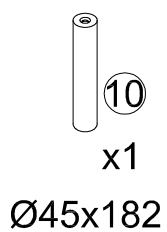
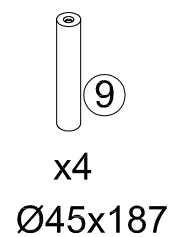
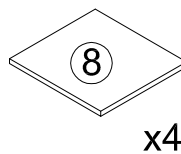
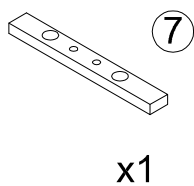
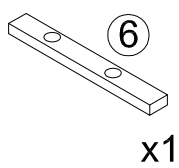
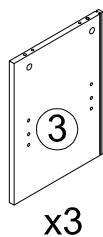
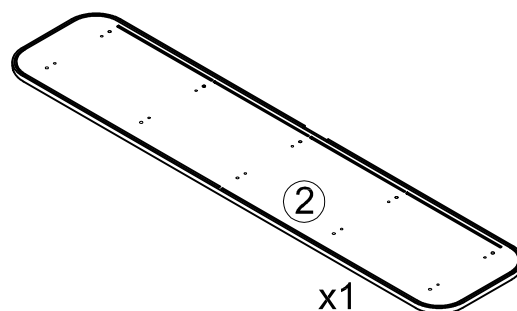
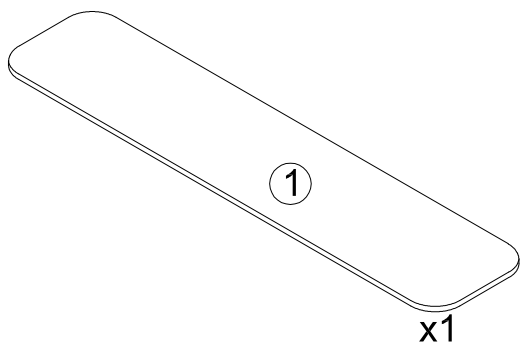
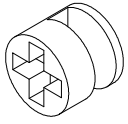

30 min	x2	x2	x1	x1





Ax10



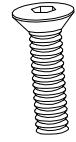
Bx10



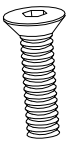
Cx20  
Ø8x30



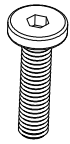
Dx10  
M5x45mm



Ex20  
M6x15mm



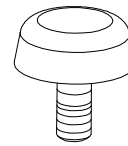
Fx5  
M8x20mm



Gx4  
M6x15mm



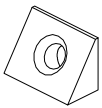
Hx12  
Ø4x30mm



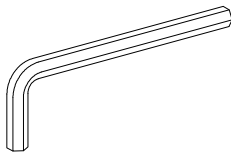
Ix5  
M8xφ23x25mm



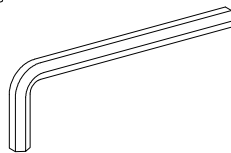
Jx10



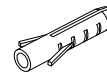
Kx20



Lx1  
M4



Mx1  
M5



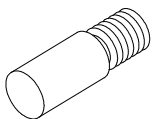
Xx2  
Ø6x30



Yx1



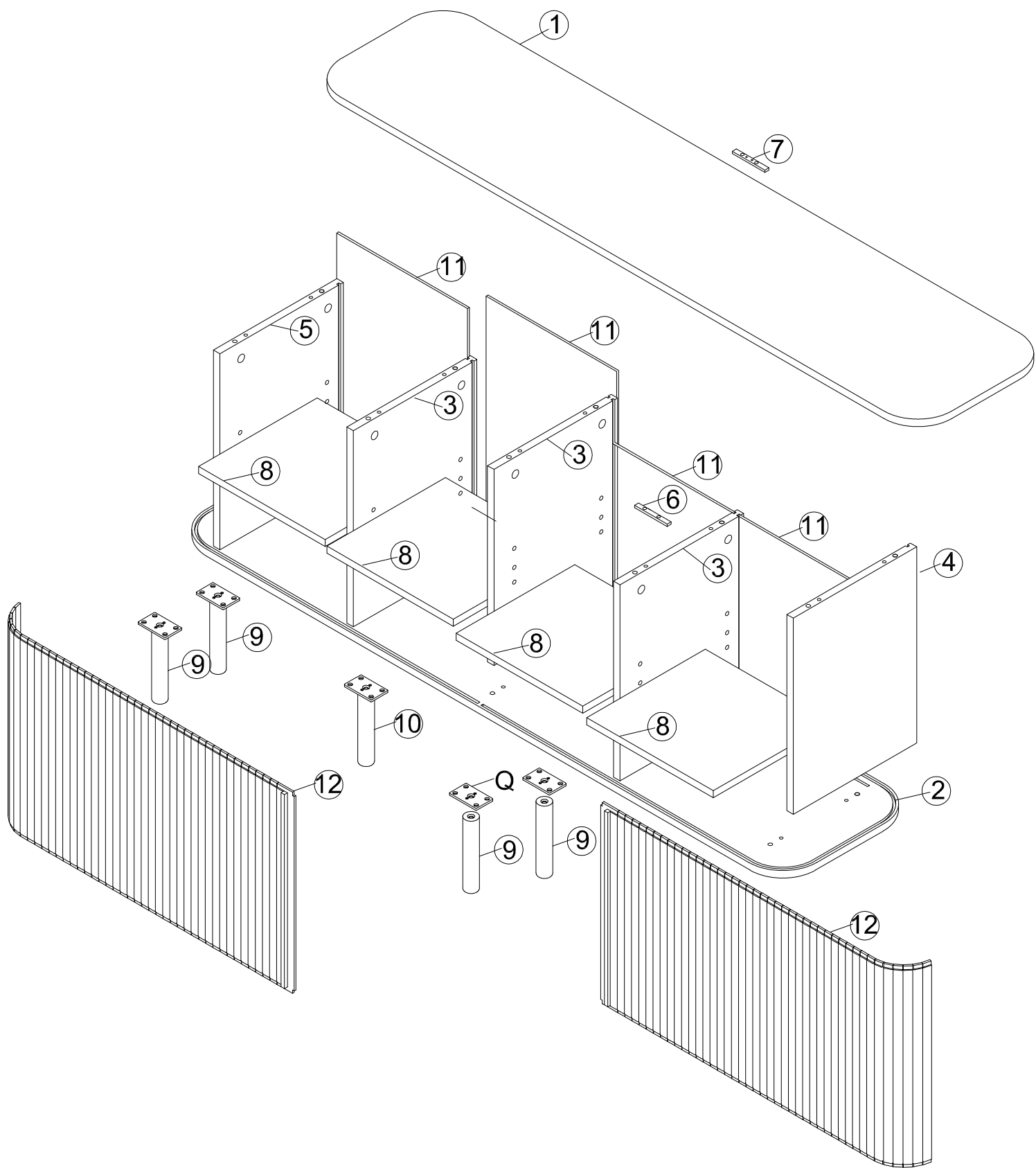
Zx22  
Ø3x16mm

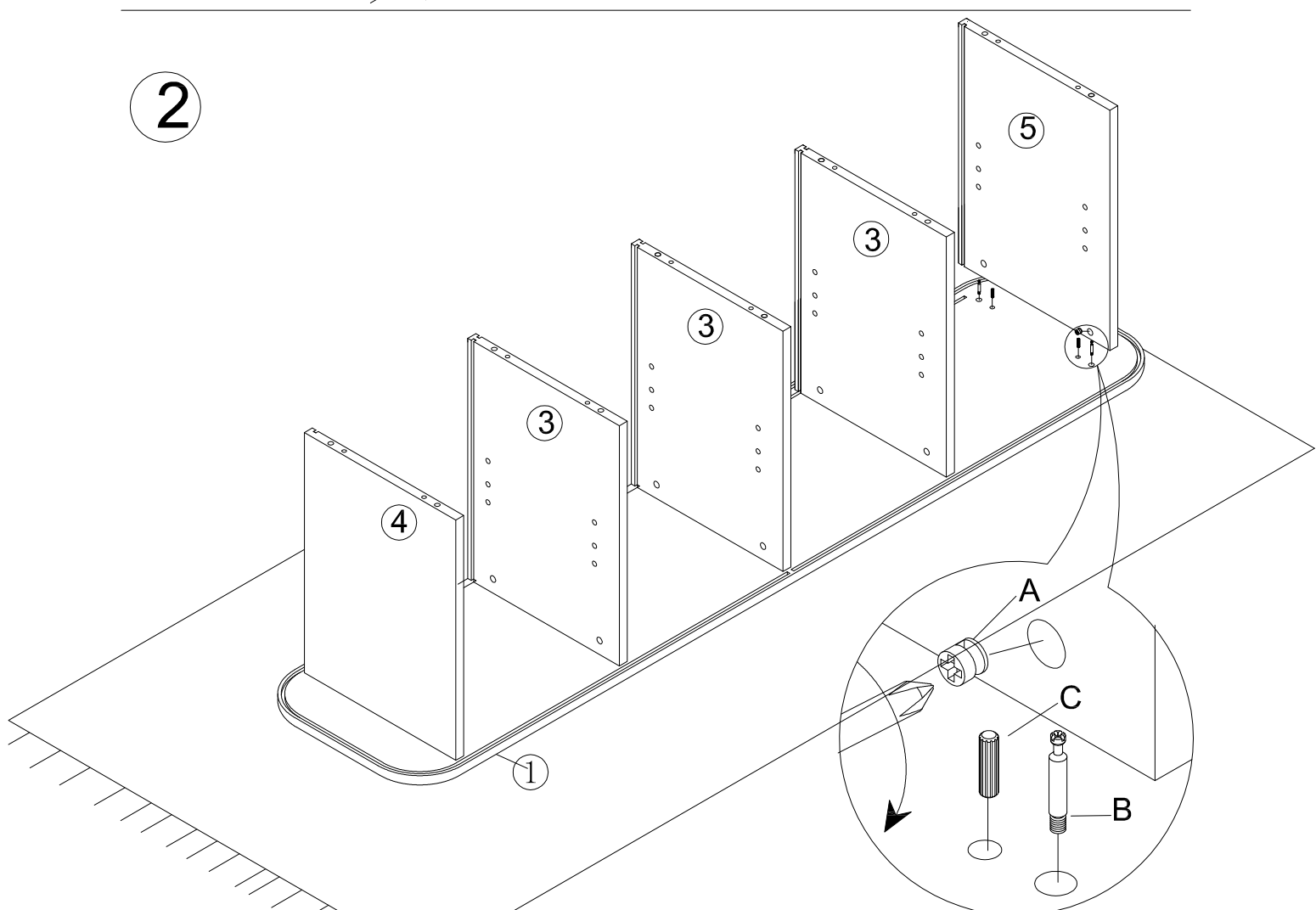
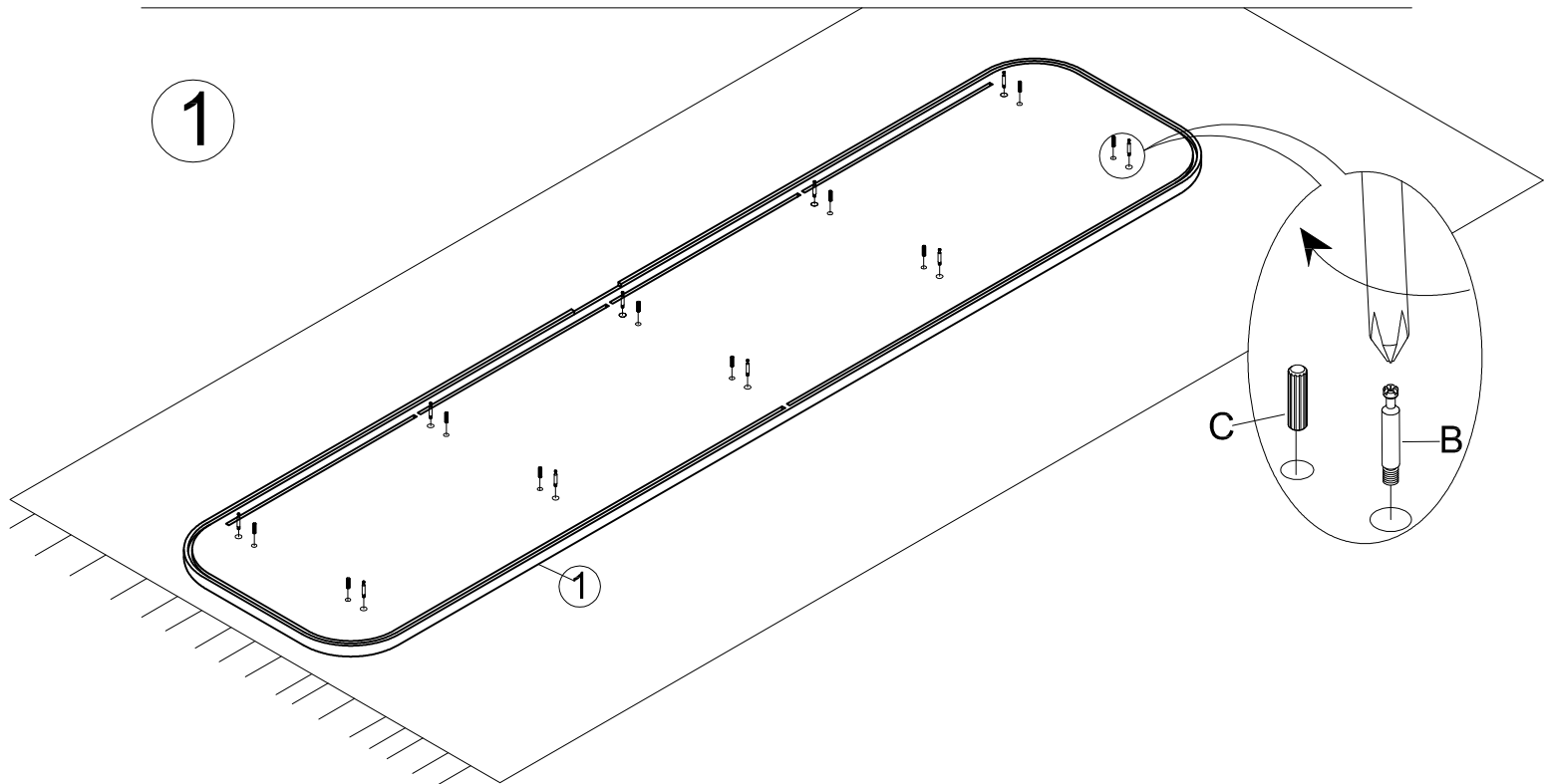


Px16  
M8

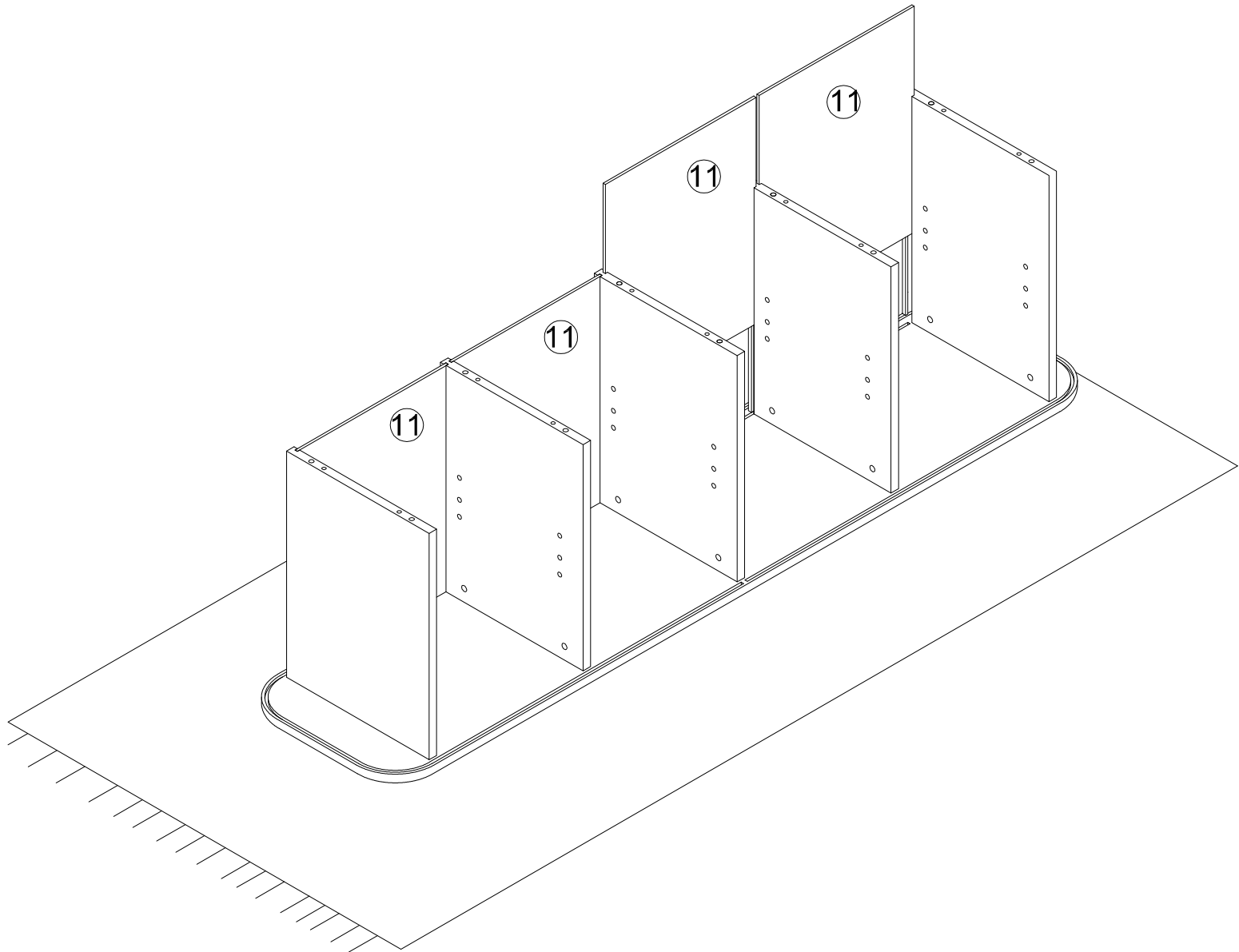


Qx5  
80x50x5

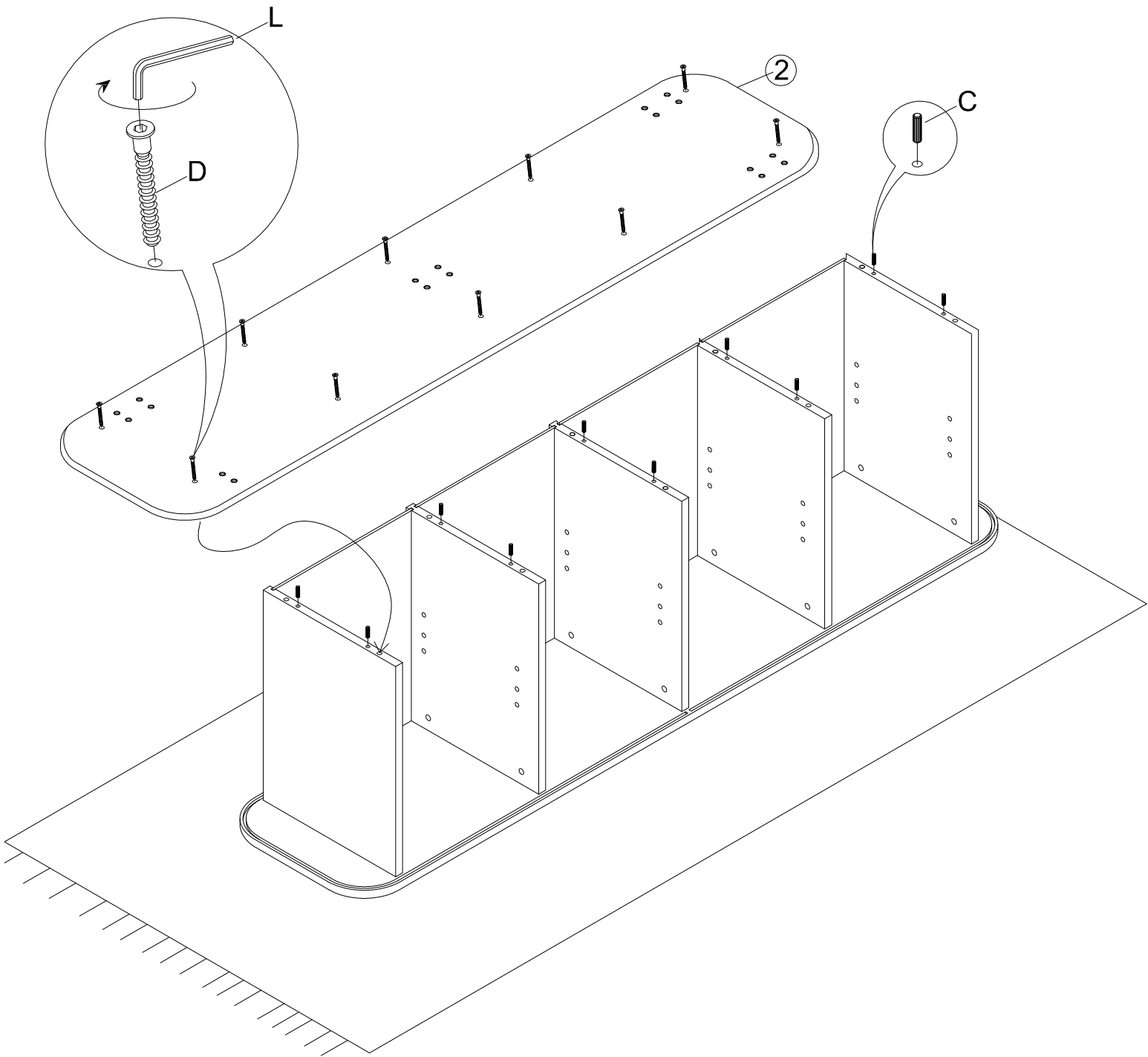




3

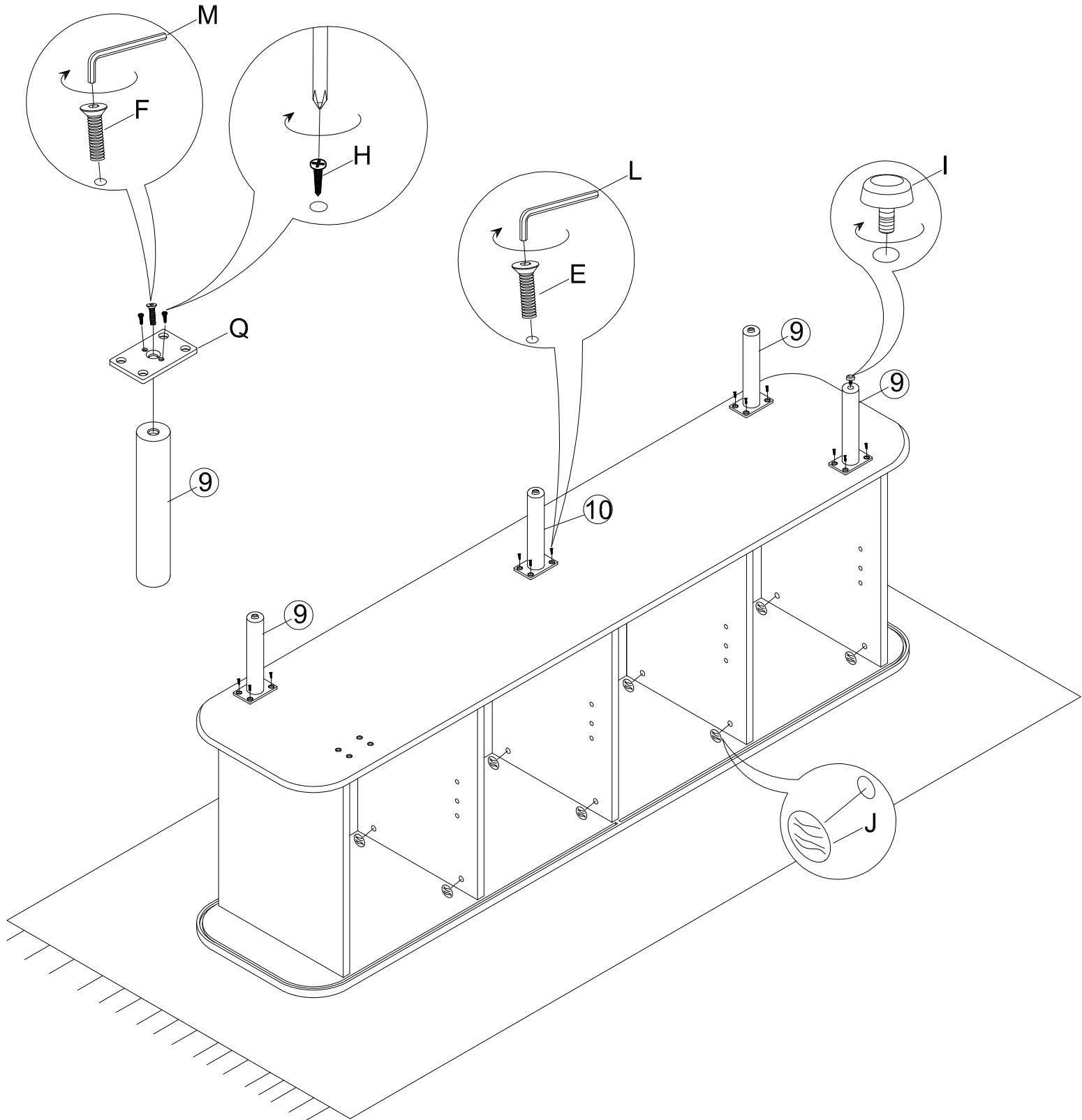


4



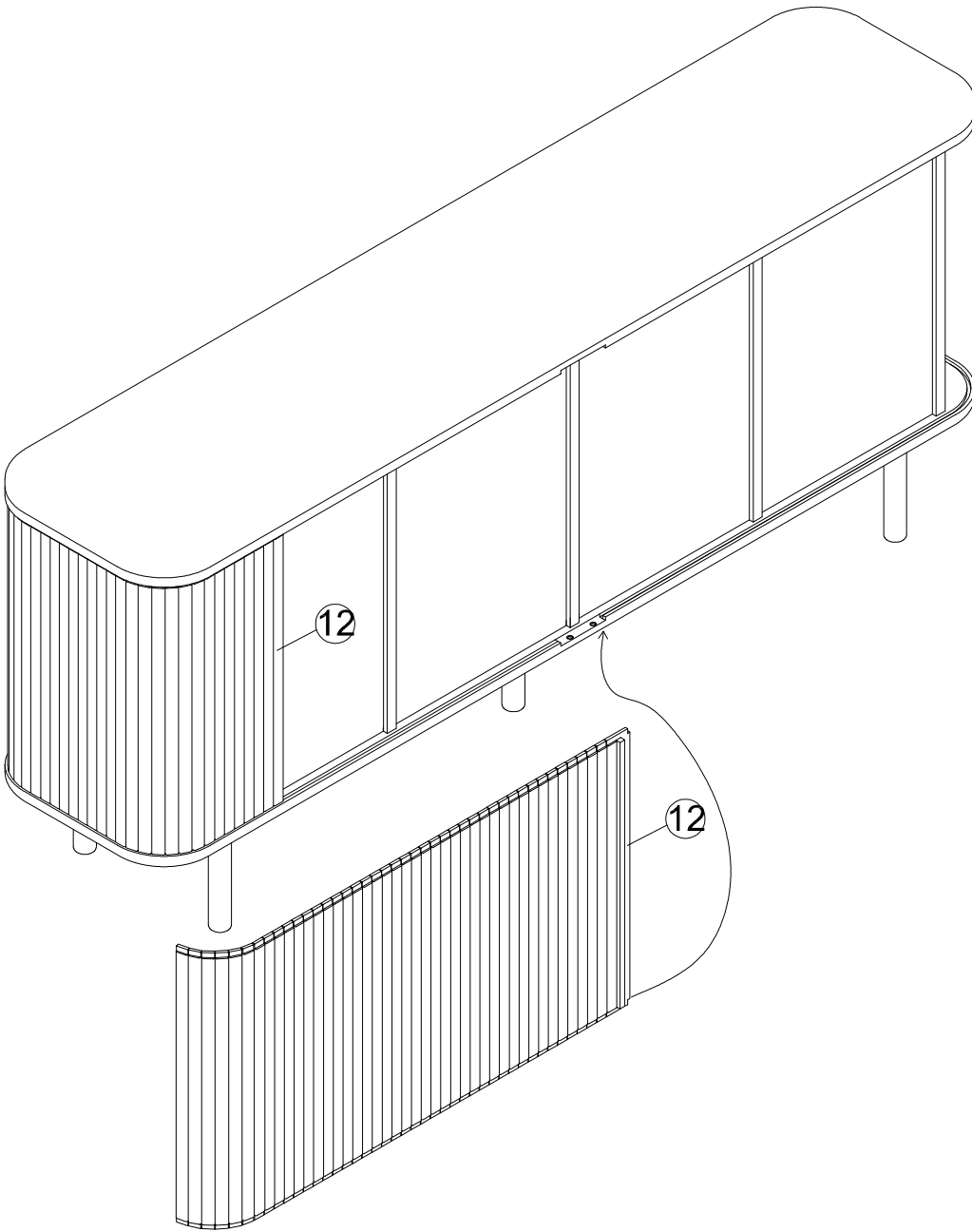


5

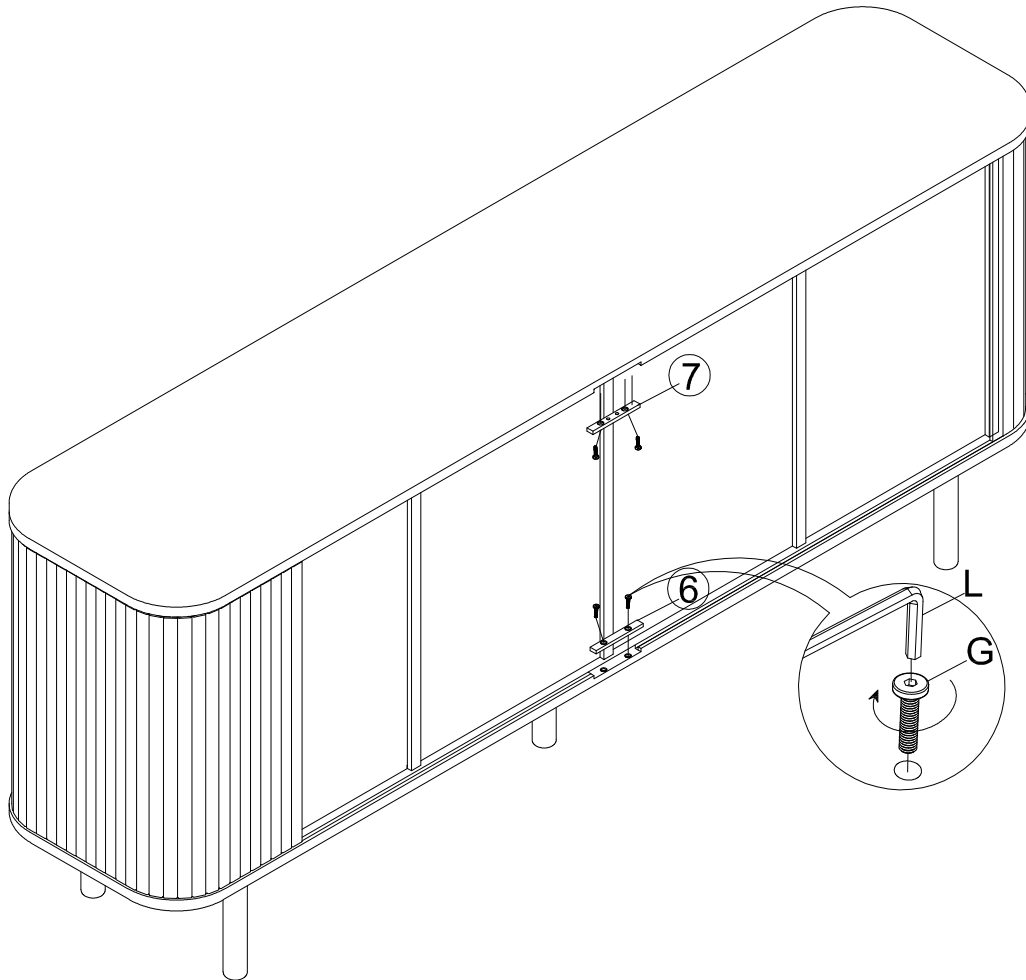


---

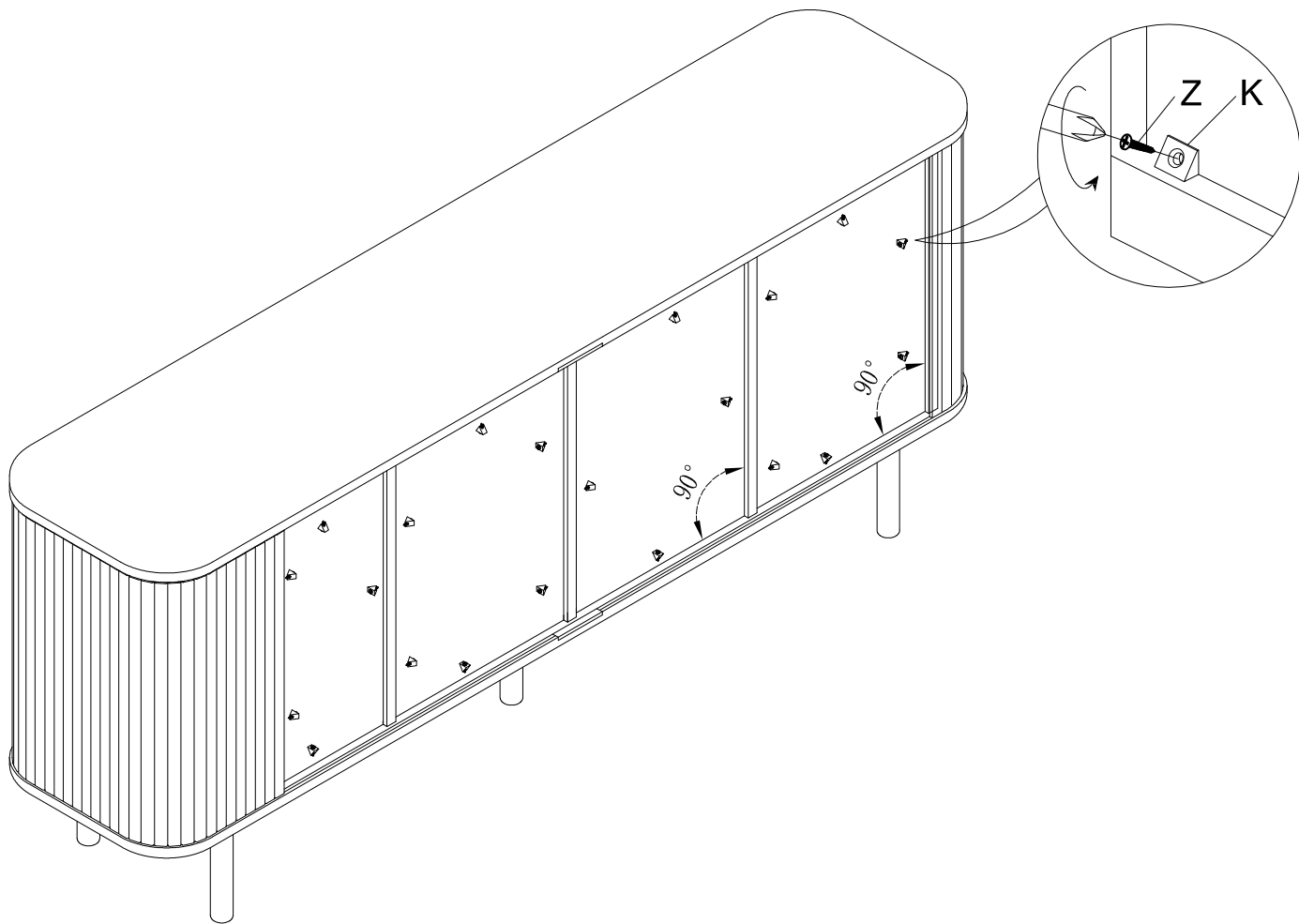
6



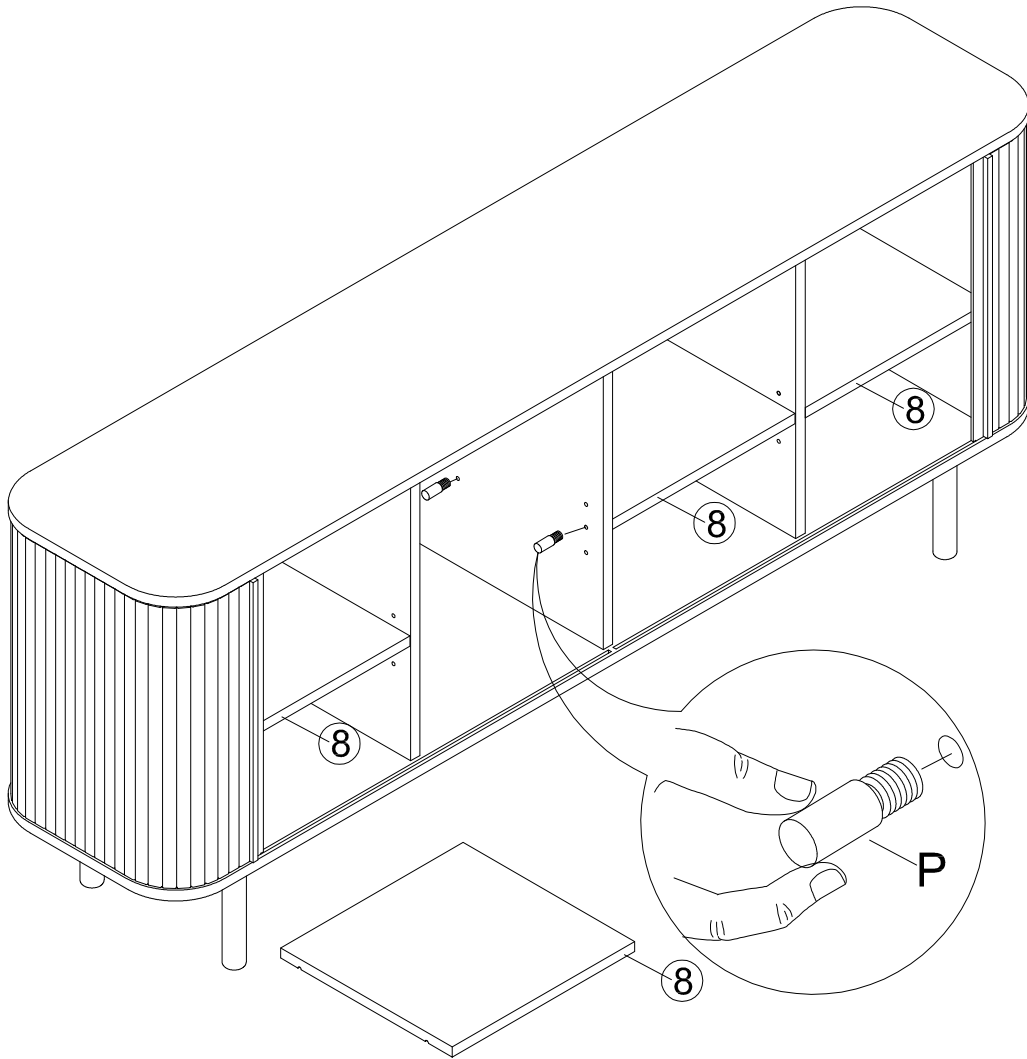
7



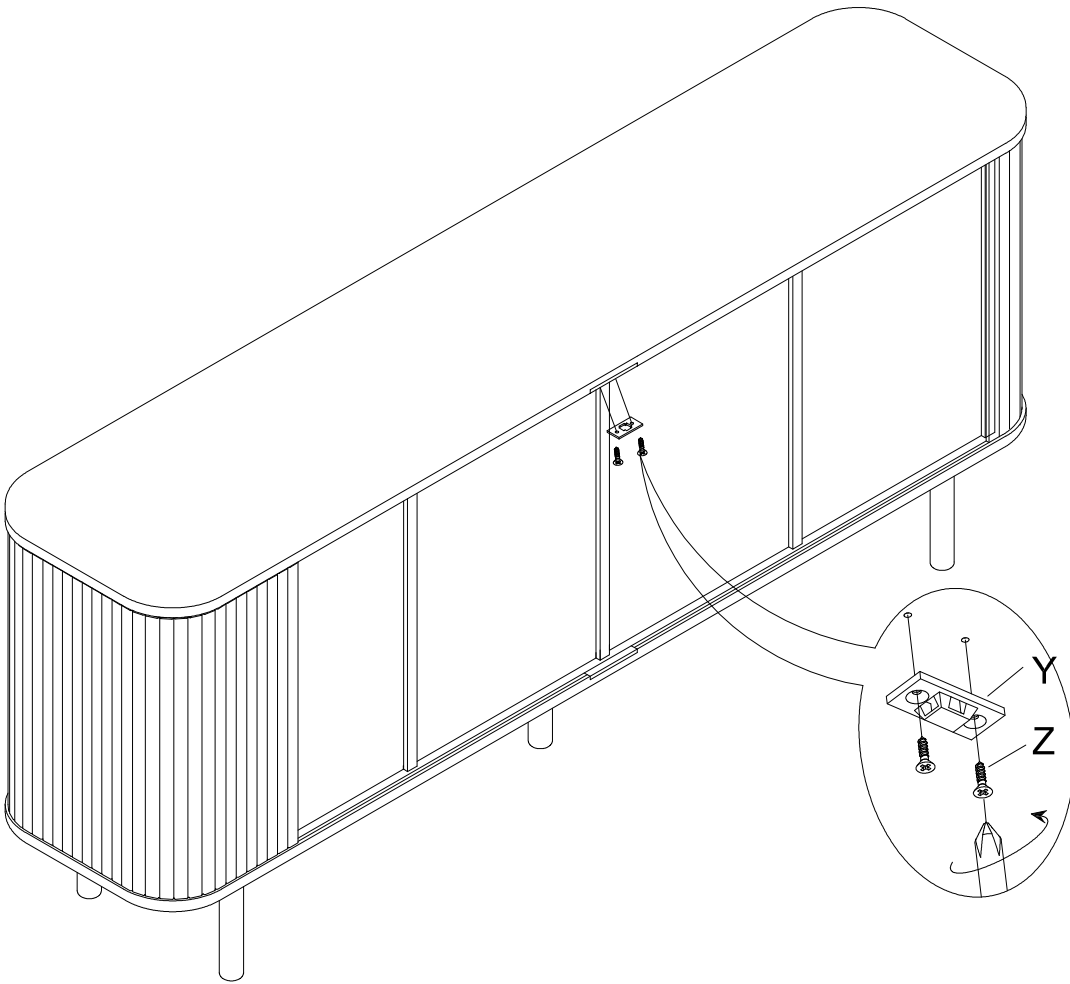
8



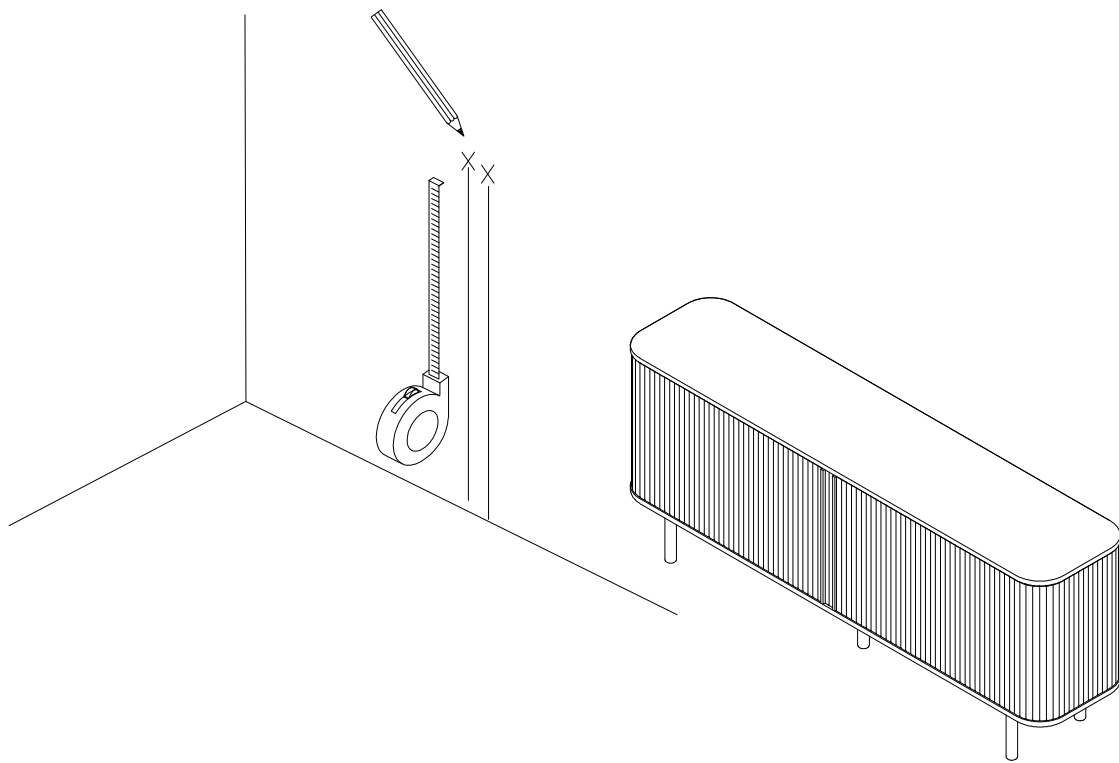
9



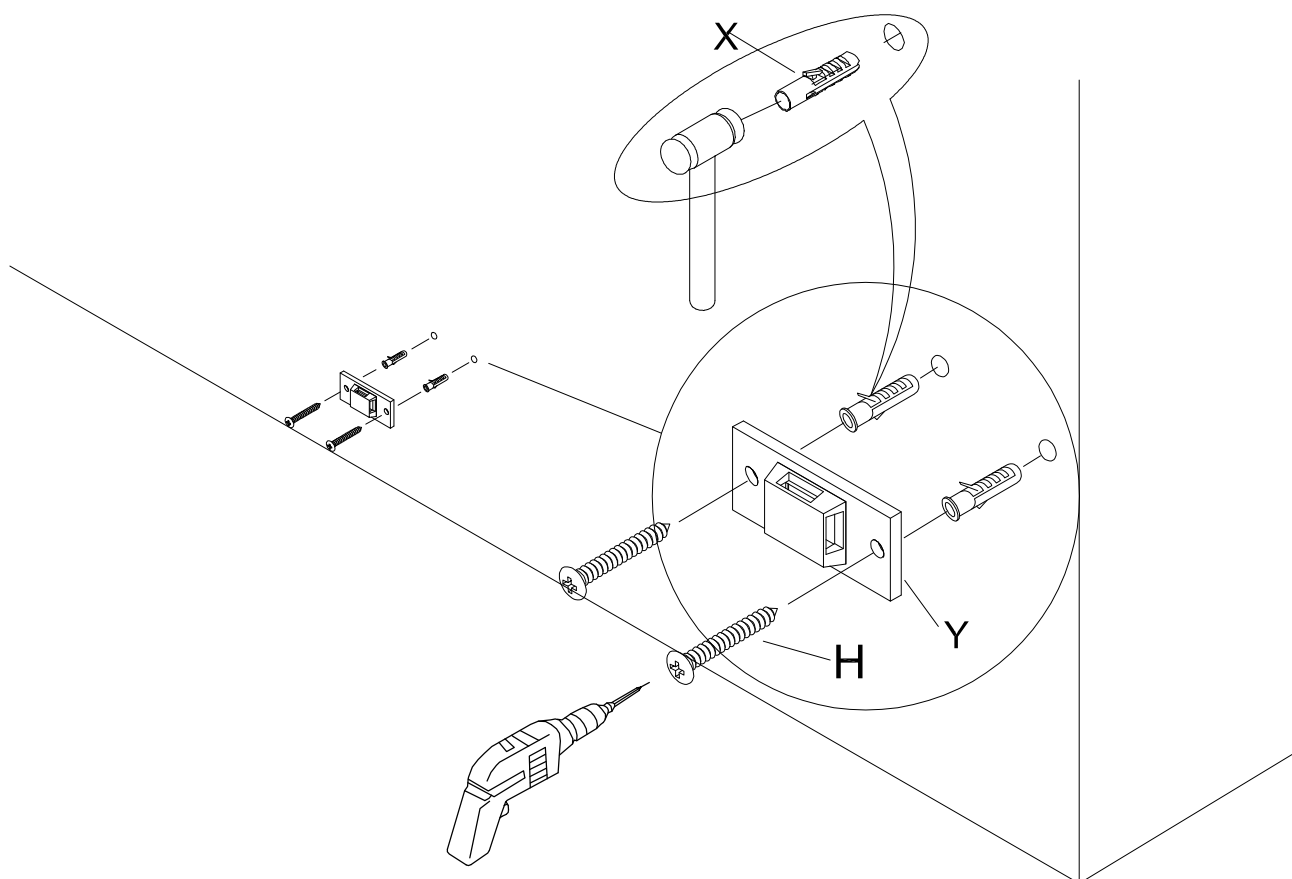
10



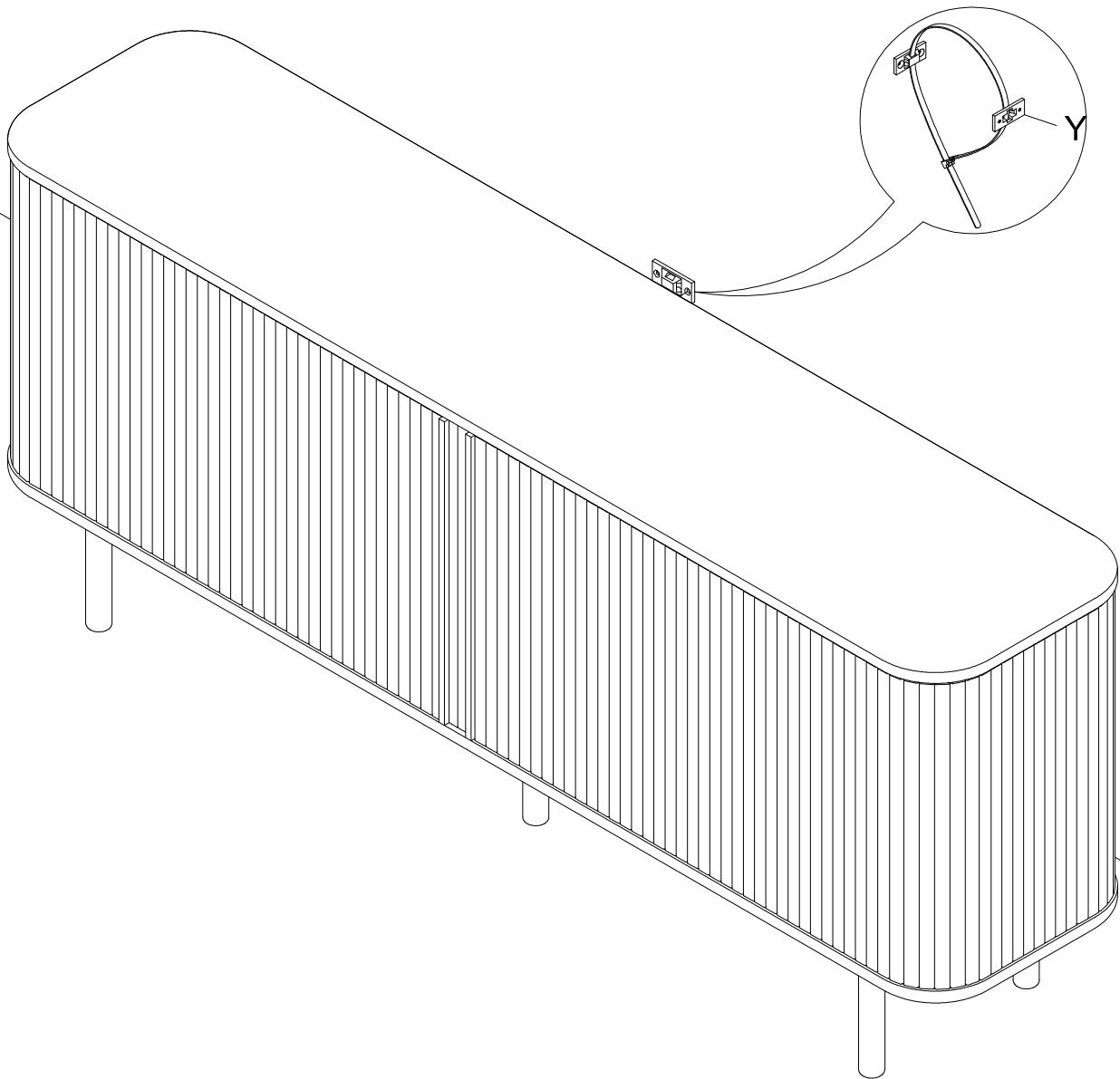
11



12



13





14

